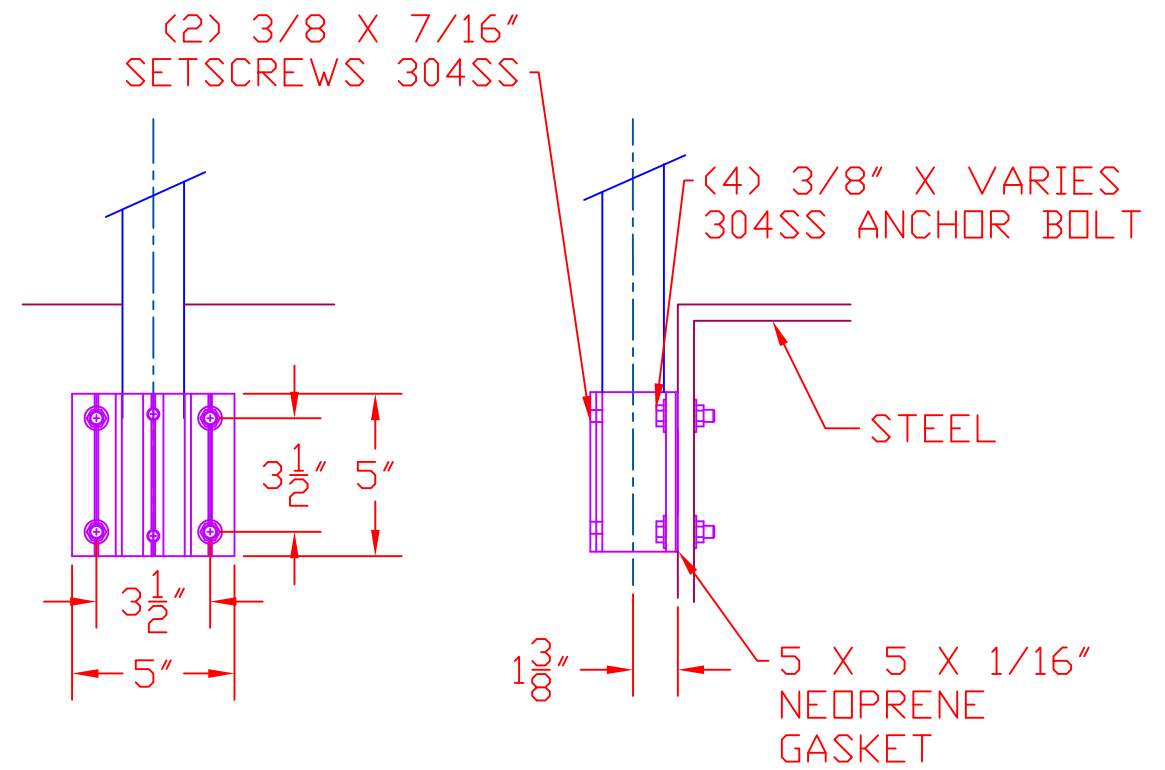


NEOPRENE GASKET IS REQUIRED BETWEEN EXTRUDED FLANGES
AND CONCRETE OR STEEL

#52E SIDE MOUNT FLANGE DETAIL



NEOPRENE GASKET IS REQUIRED BETWEEN EXTRUDED FLANGES
AND CONCRETE OR STEEL

#52E SIDE MOUNT FLANGE DETAIL

THIS DRAWING AND ALL THE INFORMATION
THEREON IS THE PROPERTY OF THE
HOLLAENDER MFG. CO., IS CONFIDENTIAL
AND MUST NOT BE MADE PUBLIC, NOR
COPIED, NOR USED, TO THE DISADVANTAGE
OF SAID HOLLAENDER MFG. CO. AND IS
SUBJECT TO RETURN ON DEMAND.

COPYRIGHT 2004
HOLLAENDER MANUFACTURING CO.

NO.	REVISIONS	DATE	APPROVED
A	ISSUED FOR REVIEW/APPROVAL	6-9-05	BW

Hollaender
STRUCTURAL ENGINEERING GROUP

HOLLAENDER MFG.
10285 WAYNE AVENUE
CINCINNATI, OH 45215-6399
PH: (800) 772-8800
FX: (800) 772-8806
WWW.HOLLAENDER.COM

PROJECT	DESCRIPTION	DRAWN BY	APPROVED BY	DATE
HOLLAENDER	DETAIL PACKAGE	BW	BW	6-9-05

PROJECT NO.	SCALE	DRAWING NO.	SHEET
N/A	NTS	3115-D	6 OF 6

